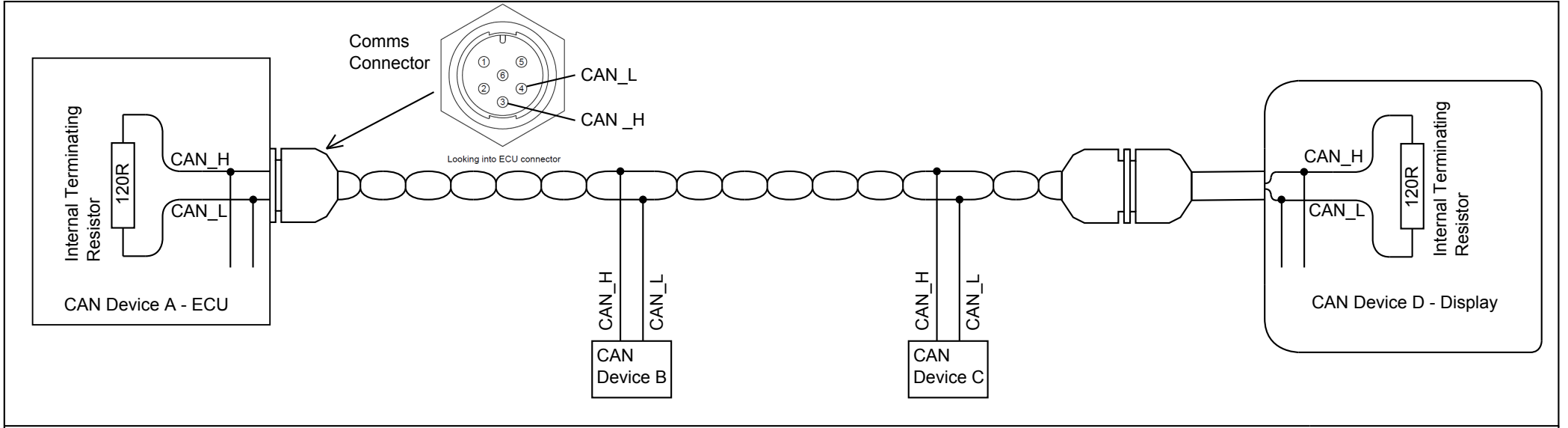


Wiring Specification



CAN System Example