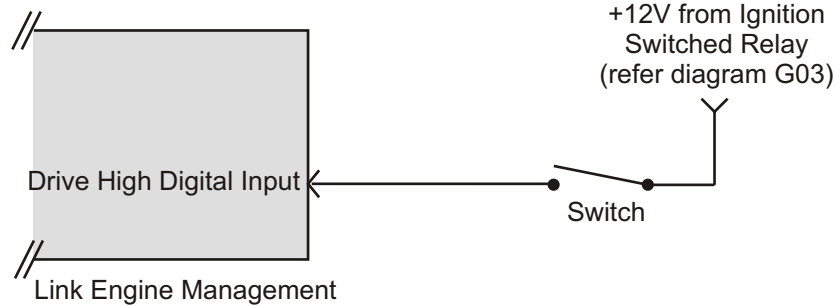
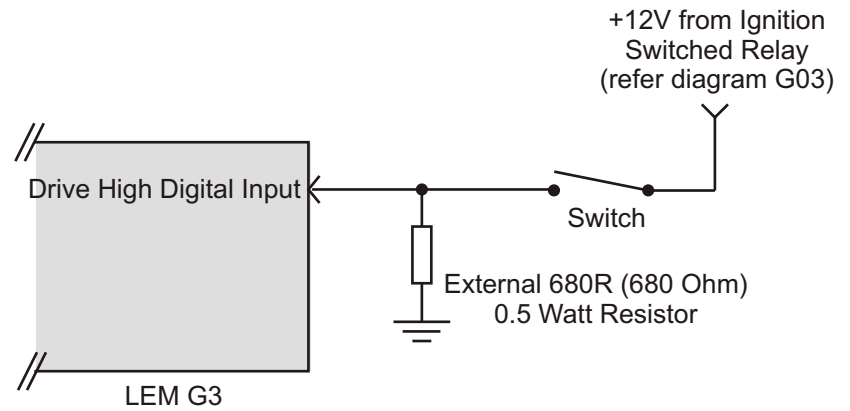


A) Drive LOW Digital Input



B) Drive HIGH Digital Input



C) Drive HIGH Digital Input (LEM G3 Only)

Figure G04.1 - Digital Input Wiring