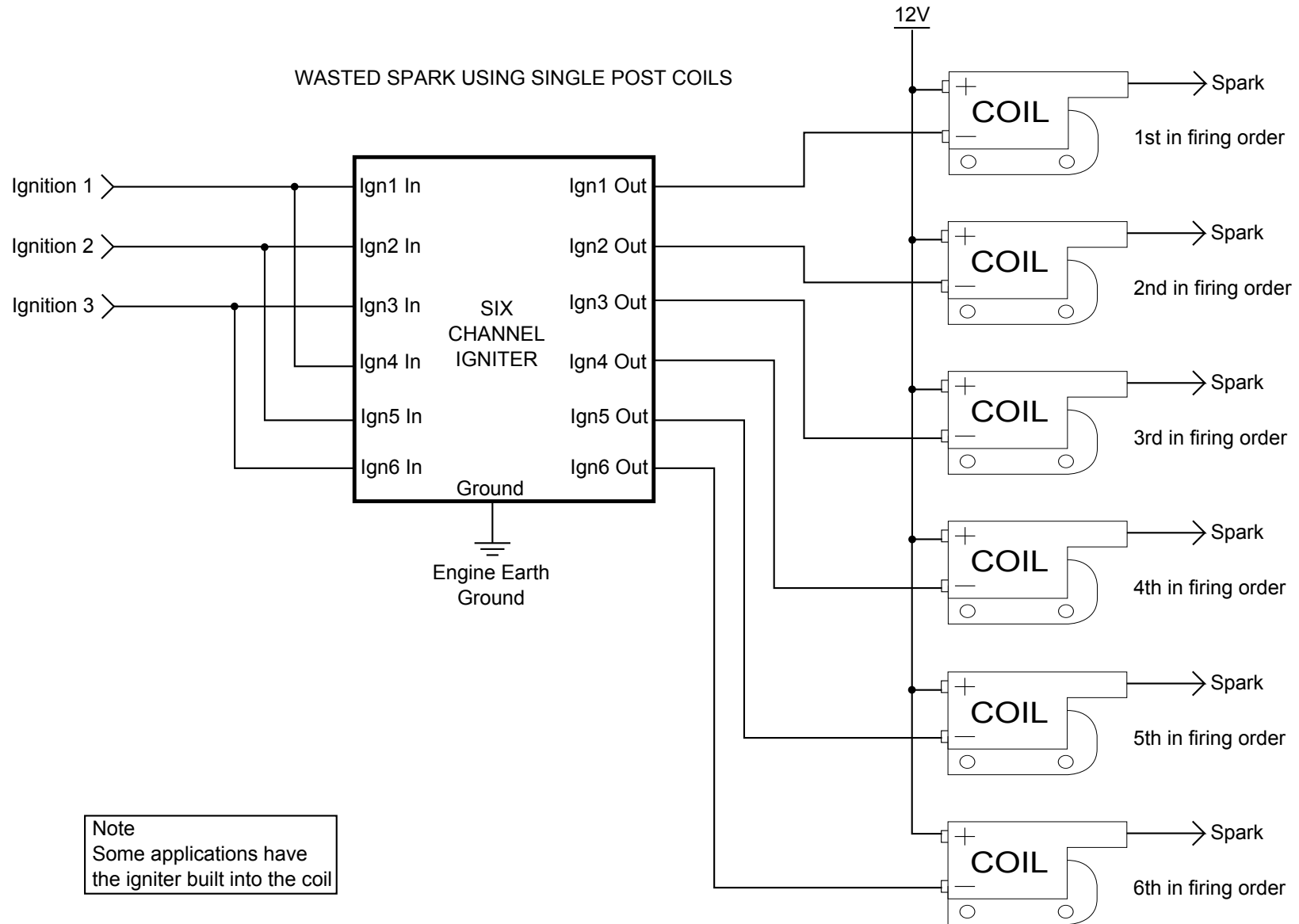


WASTED SPARK USING SINGLE POST COILS



Note
Some applications have
the igniter built into the coil

While every effort is taken to ensure correctness, no responsibility will be taken for the consequences of any inaccuracies or omissions in this drawing.



AUTHOR
**6 Cylinder Single Post
Wasted Spark Example**

DATE
12/8/2009
VERSION
1.0

DRAWING ID
I24
AUTHOR
PW