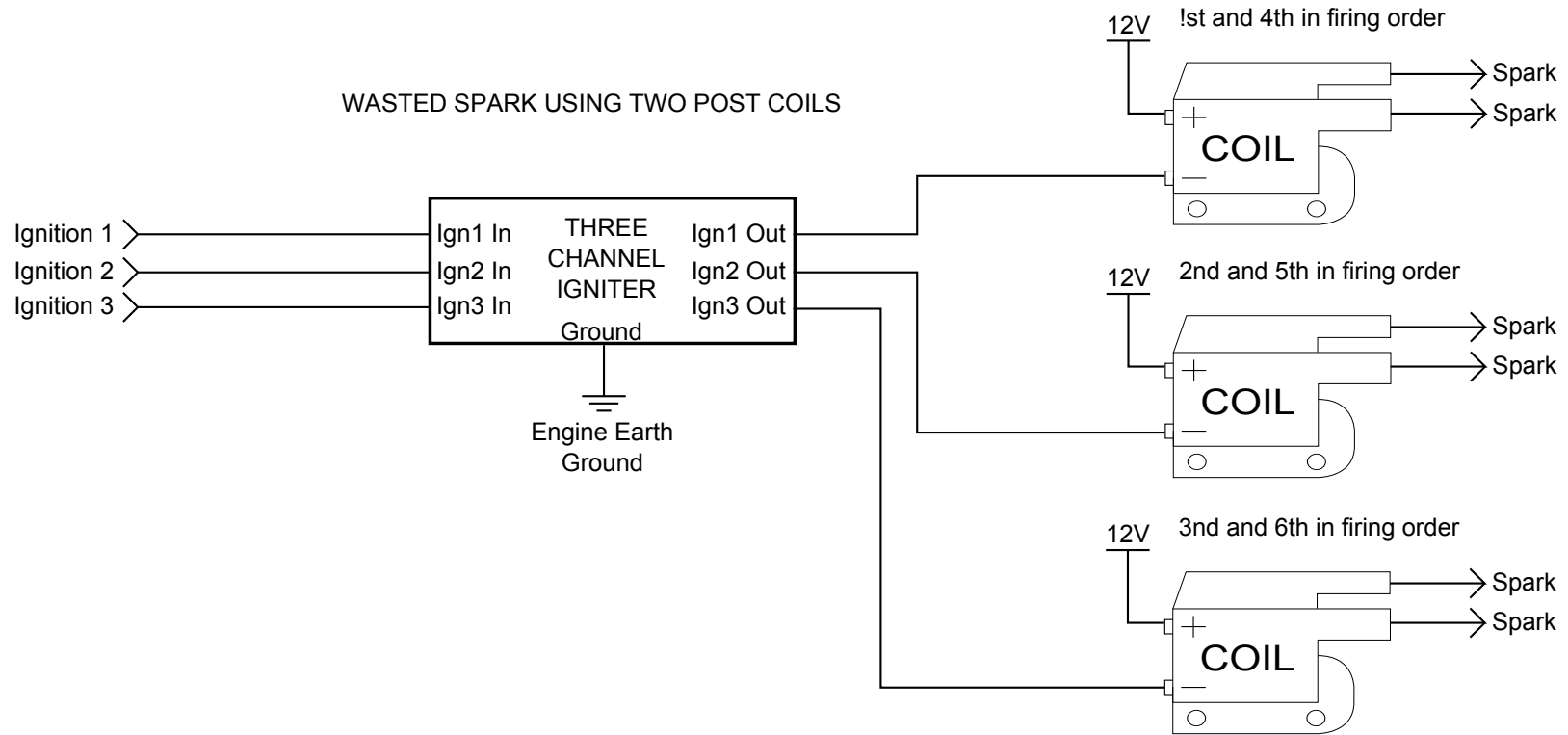


WASTED SPARK USING TWO POST COILS



While every effort is taken to ensure correctness, no responsibility will be taken for the consequences of any inaccuracies or omissions in this drawing.



AUTHOR
**6 Cylinder Dual Post
 Wasted Spark Example**

DATE
 12/8/2009

VERSION
 1.0

DRAWING ID

I23

AUTHOR

PW