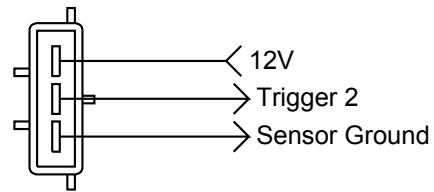
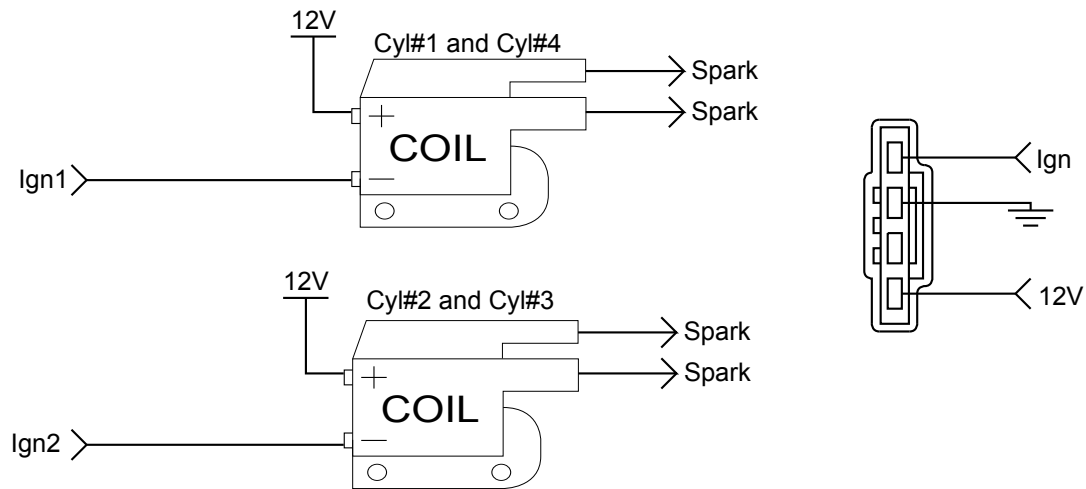
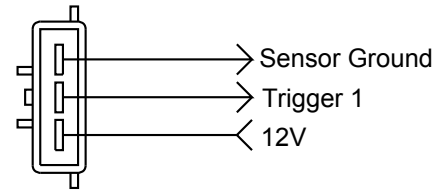


Cam Sensor



Crank Sensor



Note
Igniters inside coilpacks



AUTHOR
**Mazda MX5 Triggers
and Ignition**

DATE
14/8/2009
VERSION
1.0

DRAWING ID
G27
AUTHOR
PW