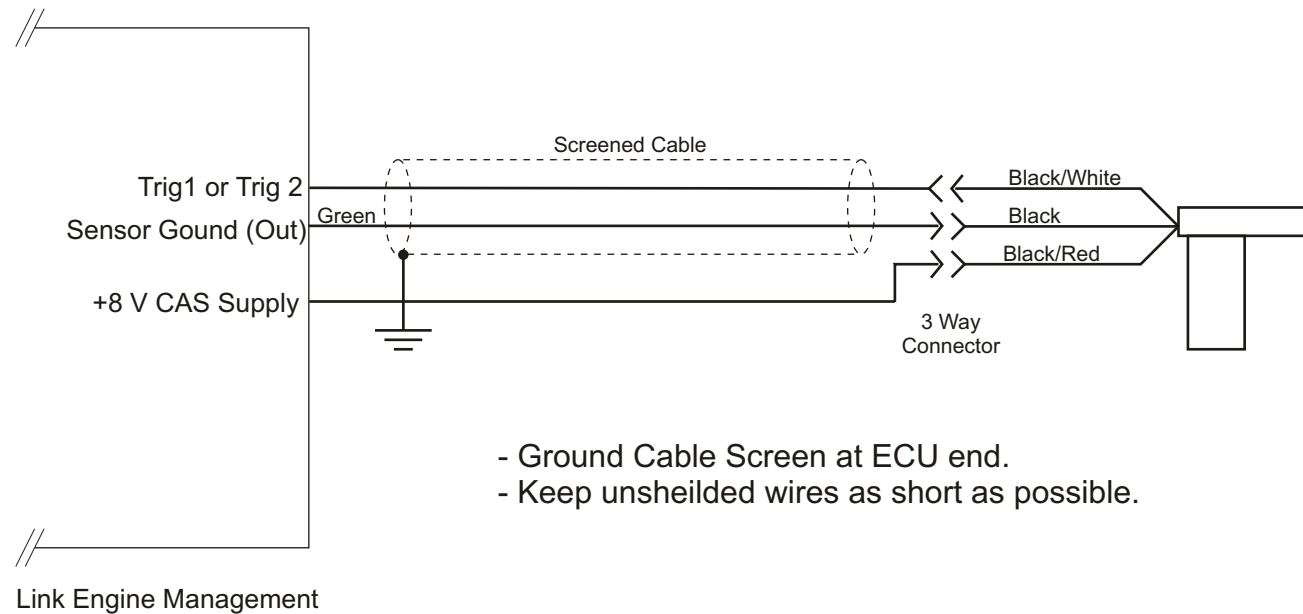
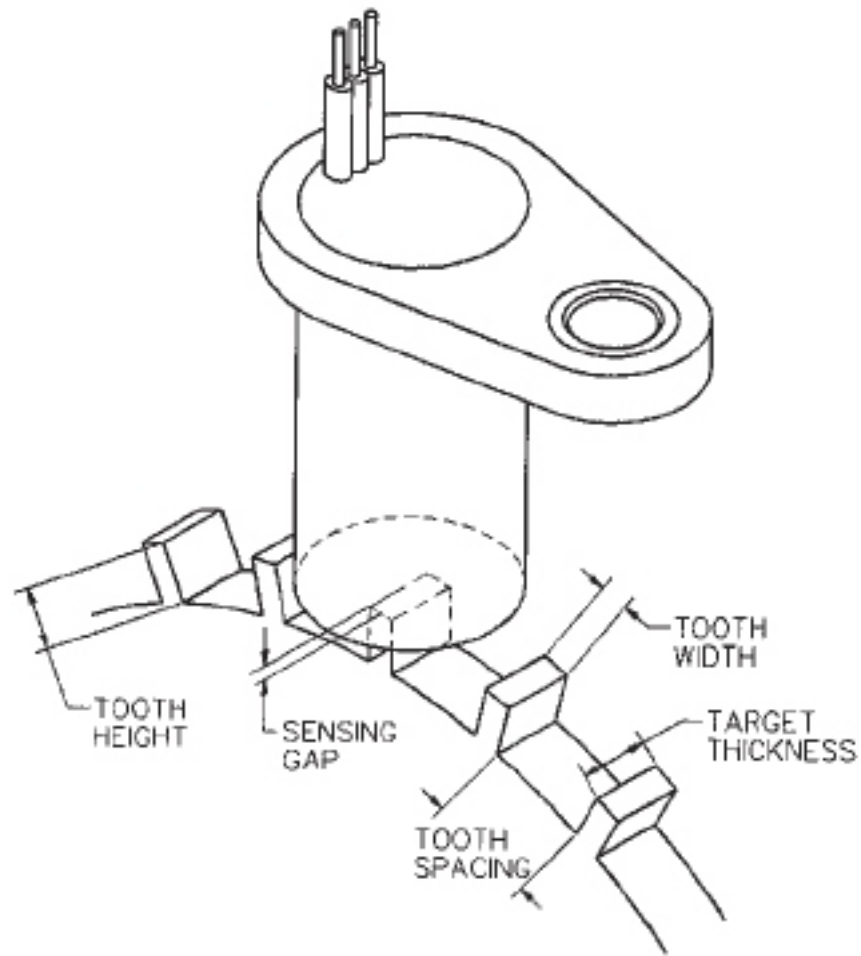




**Figure C16.1 - GT101 Hall Effect Sensor**



**Figure C16.2 - GT101 Hall Effect Sensor Wiring**



### **Sensor Tooth Dimensions**

Tooth Height	5.0 mm (min.)
Tooth Width	2.5 mm (min.)
Tooth Spacing	10.0 mm (min.)
Target Thickness	6.5 mm (min.)
Air Gap	1.0 to 2.0 mm

**Figure C16.3 - GT101 Tooth Dimensions**

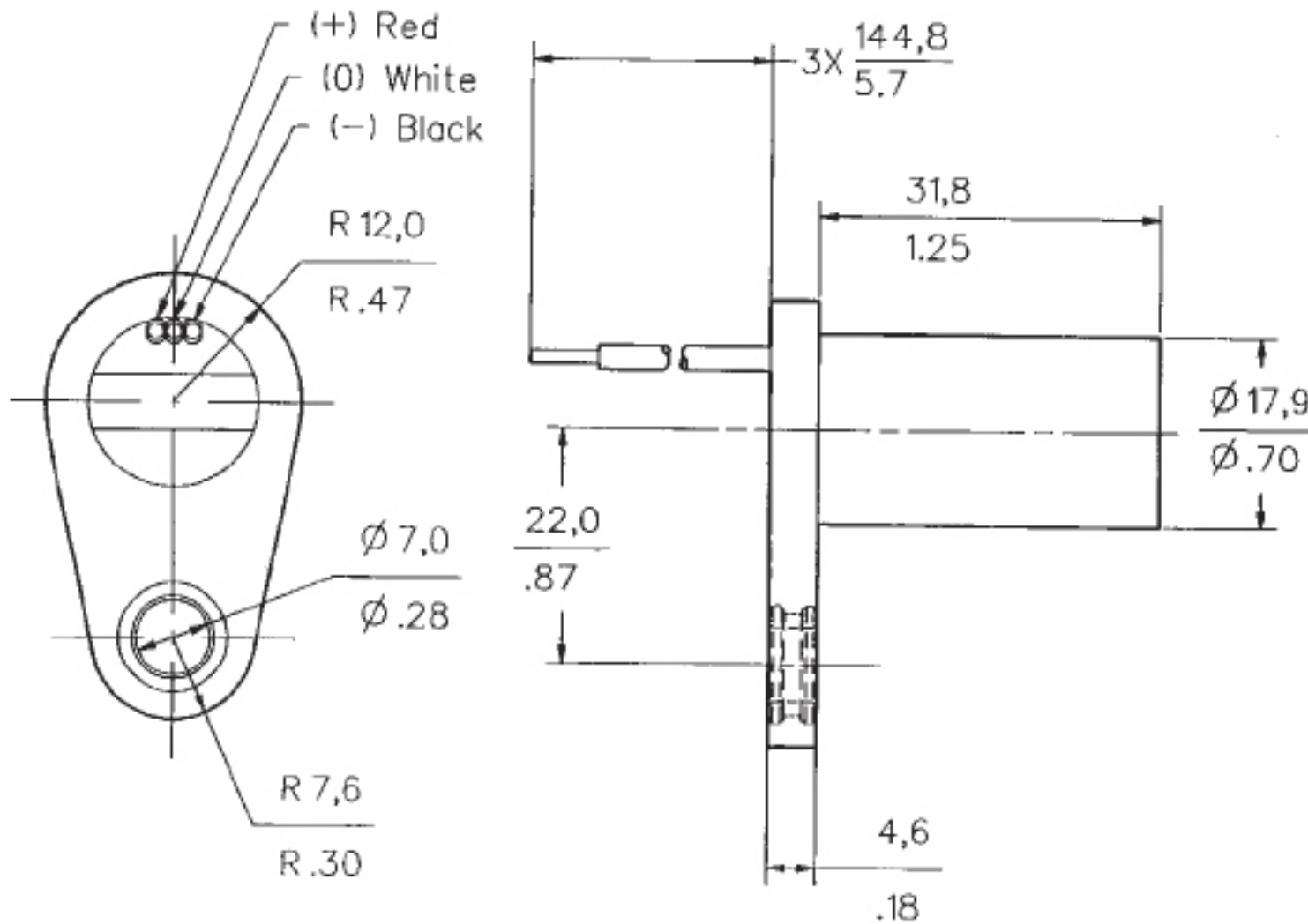


Figure C16.4 - GT101 Mounting Dimensions