



Figure I02.1 - Link Three Channel Igniter

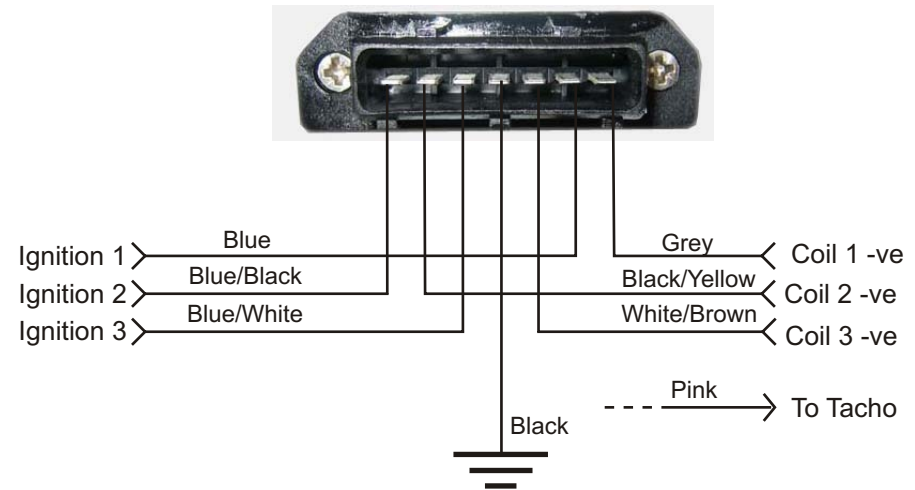


Figure I02.2 - Link Three Channel Igniter Pinout