



Figure I01.1 - Link Two Channel Igniter

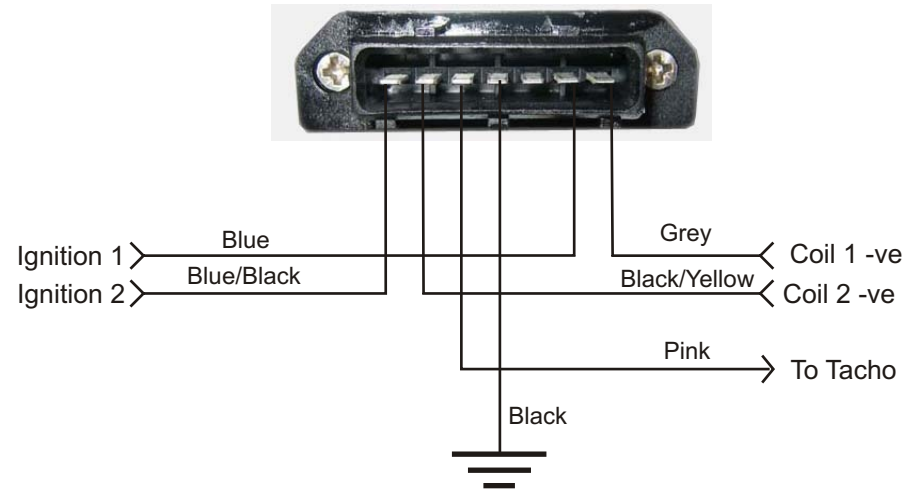


Figure I01.2 - Link Two Channel Igniter Pinout